

kV

S-Base Meters

Designed for Upgradability

The kV™ S-Base Meter is designed with easy upgrading in mind using a unique combination of option boards and “soft switches”.

- **Soft Switches** add: TOU, Reactive, Power Factor, Q-hour, Distortion and Apparent Power Measurements
- **Option Boards** add: Pulse Outputs, Real Time Pricing input, Load Profile Recording, Load Control, and Communications

Automatic On-Site Monitoring

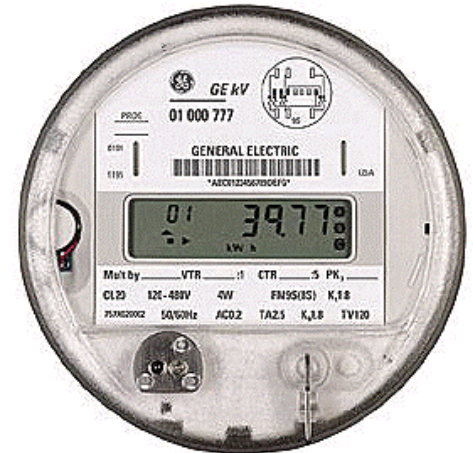
GE's Site Genie™ Monitor provides a simple, automatic way to catch errors, tampering and wiring changes *before* billing problems occur. Site Genie also gives you the phasor information and diagnostics you need to fix the problems it finds.

Power Quality Monitoring

Voltage and Distortion alerts are in every kV Meter. The kV's new Power Guard™ System identifies service and load power quality problems before they become complaints.

Cost of Service Measurements

The first meter to measure IEEE defined “3D” vector quantities: active power, reactive power, distortion power, and apparent power. The result is a set of true cost of service measurements that work in all applications.



kV™ S-Base Meter

...and More

- Inventory reduction with 120-480 V operation and fewer forms
- **Real Time Pricing** operation
- **Fundamental only** measurements for optimized billing of distorted loads
- Standard Reading and Programming (ANSI C12.18 & C12.19)
- Software selectable 50 or 60 Hz operation
- **Fitzall™** Application allows one meter to fit many forms (57-120V and 120-480V versions)
- The largest range of electronic meters with Class 320, switchboard, Form 56S and A-Base versions available
- **Revenue Guard™** Protection Option and DC Immunity

Self Contained 120 - 480 V

| Circuit | Wires | Form | Elements | Class | CatNo | Replaces |
|-----------------------------|-------|-------|----------|-------|------------|-----------------|
| Singlephase | 2 | 1S | 1 | 200 | 744X200051 | |
| | 3 | 2S | | 200 | 744X200001 | |
| | | 2S | | 320 | 744X200023 | |
| Singlephase Δ or Network | 3 | 12S | 2 | 200 | 744X100001 | |
| | 5 | | | 320 | 744X100034 | |
| 3φ Y or Δ | 4 | 16S ☒ | 3 | 200 | 744X400001 | 14S, 15S, & 17S |
| | | | | 320 | 744X400022 | |

Transformer Rated 120 - 480 V

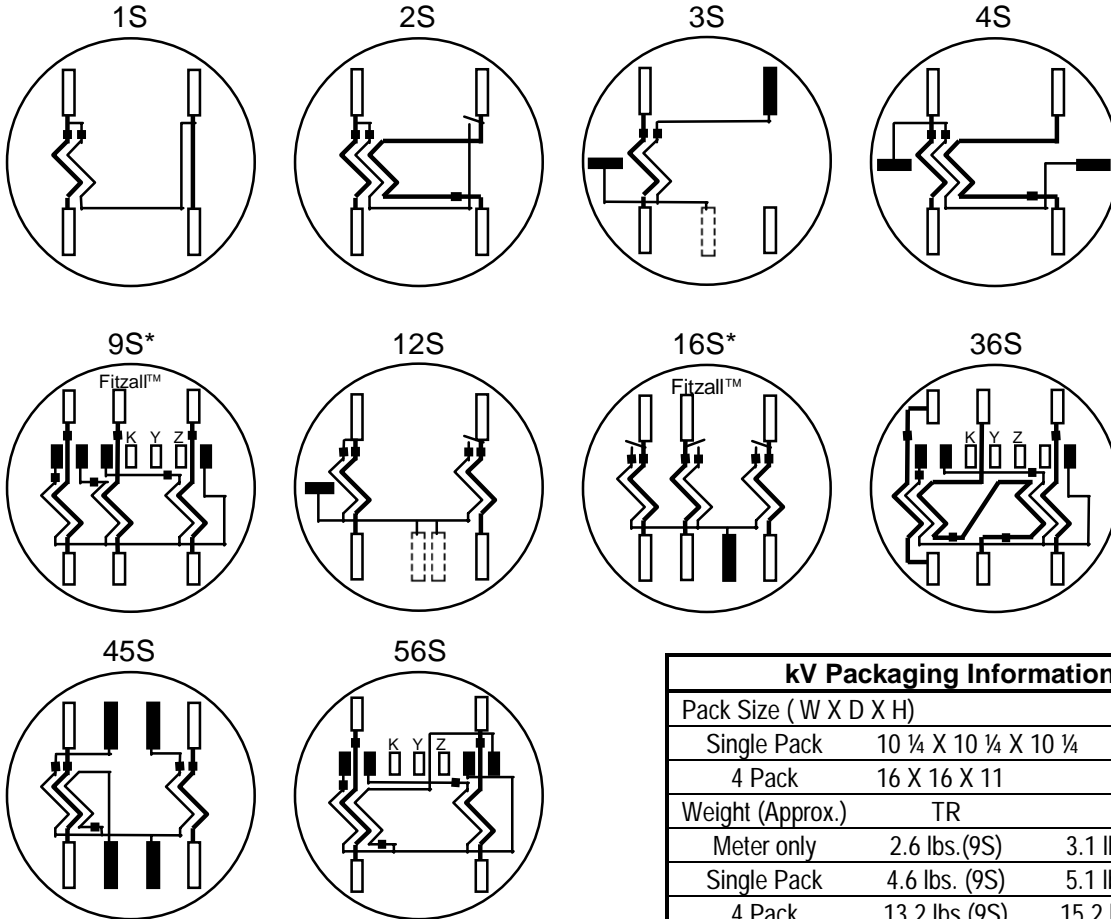
| | | | | | | |
|-------------|--------|------|----|----|------------|--------------------------|
| Singlephase | 2 | 3S | 1 | 20 | 744X300001 | ☒ Fitzall™ Capable Meter |
| | 3 | 4S | | 20 | 744X300023 | |
| 3φ Y or Δ | 4 | 9S ☒ | 3 | 20 | 744X900001 | 8S |
| 3φ Y | 4 | 36S | 2½ | 20 | 744X600001 | 6S |
| 3φ Δ 2φ | 3 or 4 | 45S | 2 | 20 | 744X500001 | 5S, 35S |
| | 5 | | | | | |



www.geindustrial.com ...

GE Industrial Systems
130 Main Street
Somersworth, NH 03878

ANSI C12.10 Internal Connections



| kV Packaging Information | | |
|--------------------------|--------------------|-----------------|
| Pack Size (W X D X H) | | |
| Single Pack | 10 ¼ X 10 ¼ X 10 ¼ | |
| 4 Pack | 16 X 16 X 11 | |
| Weight (Approx.) | TR | SC |
| Meter only | 2.6 lbs. (9S) | 3.1 lbs. (16S) |
| Single Pack | 4.6 lbs. (9S) | 5.1 lbs. (16S) |
| 4 Pack | 13.2 lbs (9S) | 15.2 lbs. (16S) |

| OPTIONS | LEXAN |
|----------------|---------|
| | DIM "A" |
| STANDARD RESET | 4 13/16 |
| KEYLOCK | 5 1/16 |

