



Indoor Voltage Transformer

Model JEV-0C – 10 kV BIL, 69 - 600 V



Application	
Designed for indoor service; suitable for operating meters, instruments, relays and control devices.	
Regulatory Agency Approvals	
UL Recognized File E93779
Thermal Rating (Volt-Amperes)	
55 °C Rise above 30 °C Ambient 300 VA
30 °C Rise above 55 °C Ambient 200 VA
Weight	
(approximate) 12.5 lbs
Reference Drawings:	
Outline 0122C33699
Insulation Levels	
0.6 kV; BIL 10 kV full wave	
Frequency	
60 Hz	

JEV-0C DATA TABLE									
Circuit Line to Line Voltage	Permissible Transformer Primary Connection	Transformer Rating		ANSI Accuracy Classification		Catalog Number			Recommended Primary Fuse Rating
				60 Hz					
		Primary Voltage (1)	Ratio	Burden Per ANSI		Not Fused	Primary Fuses Only	Primary and Secondary Fuses	Amps
Operated at Rated Voltage	Operated at 58% of Rated Voltage								
120	Y only	69.3	0.578:1	0.3 W, 0.6 X 1.2 M	0.6 W 1.2 X	760X235001	760X235021	760X235041	10.0
120 208	÷ or Y Y only	120	1:1	0.3 W, 0.6 X 1.2 M	0.6 W 1.2 X	760X235002	760X235022	760X235042	6.0
208	÷ or Y	207.8	1.732:1	0.3 W, 0.6 X 1.2 M	0.6 W 1.2 X	760X235003	760X235023	760X235043	4.0
240 416	÷ or Y Y only	240	2:1	0.3 W, 0.6 X 1.2 M	0.6 W 1.2 X	760X235004	760X235024	760X235044	4.0
480	Y only	288	2.4:1	0.3 W, 0.6 X 1.2 M	0.6 W 1.2 X	760X235005	760X235025	760X235045	3.0
480	Y only	300	2.5:1	0.3 W, 0.6 X 1.2 M	0.6 W 1.2 X	760X235006	760X235026	760X235046	3.0
480 832	÷ or Y Y only	480..#	4:1	0.3 W, 0.6 X 1.2 M	0.6 W 1.2 X	760X235008	760X235028	760X235048	2.0
600 1040	÷ or Y Y only	600..#	5:1	0.3 W, 0.6 X 1.2 M	0.6 W 1.2 X	760X235009	760X235029	760X235049	1.5

Notes:

- 1) For continuous operation, the transformer rated primary voltage should not be exceeded by more than 10%. Under emergency conditions, over-voltage must be limited to 1.25 times the transformer primary voltage rating; except those marked ..., which must not exceed 110% rated voltage.

Construction and Insulation

The core and coils are enclosed in a molded case and encapsulated in polyurethane resin. The case is molded with GE Noryl® thermoplastic polyester resin. This tough material has excellent electrical and mechanical properties over a wide temperature range with low moisture absorption and good flame resistance.

Core

The cores are made from high quality grain oriented silicon steel, which is annealed under rigidly controlled factory conditions.

Terminals

Primary and secondary terminals are No. 8-32 brass screws with one flatwasher and one lockwasher. A clear plastic terminal cover is provided.

Polarity

Primary and secondary polarity identifiers are molded into the top surface of the transformer case.

Fuses

Primary fuses are recommended, rated as shown in the data table. A secondary fuse is recommended, type BBS rated at 3.0 Amps to protect the transformer from external short circuits.

Mounting

These transformers may be mounted in any position, the case is provided with four mounting slots.

Nameplate

The nameplate is a polyester label attached to the side of the transformer case.

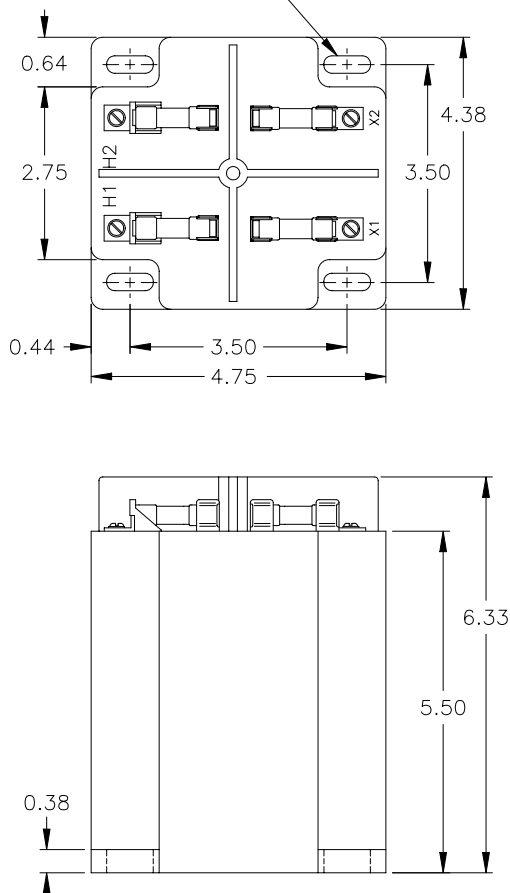
Maintenance

These transformers require no maintenance, other than occasional cleaning.

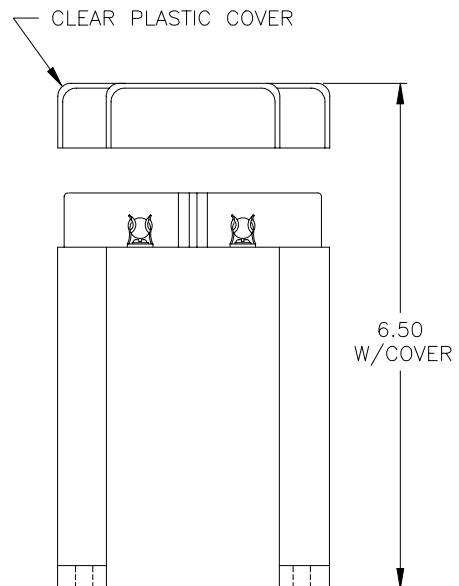
Data subject to change without notice

To purchase or obtain more information about GE Instrument Transformer products, please call GE's Charlotte Service Center at 1-800-431-7867. Product information is also available on our web site at <http://www.GEIndustrial.com>. Click on the Product Index button (right column), select Transformers and follow the menus to **Product Information** or a **Solutions Advisor**.

(4) SLOTS 0.28 X 0.75



JEV-0C Dimensions



130 Main Street
Somersworth, NH 03878

1907 Calumet Street
Clearwater, FL 33765

GE Industrial Systems