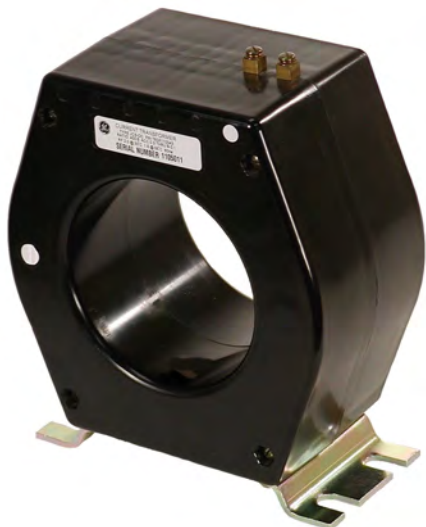




Indoor Current Transformer

Model JCS-0C – 600V, 10kV BIL, 50 – 4000A

Window Diameter 2.50" - 5.25"



APPLICATION

Designed for indoor service; suitable for operating meters, relays and control devices, on circuits not exceeding 600V line-to-line. It may be used on higher voltage circuits with an insulated conductor; refer to the Applications Information section of catalog GEP-9186

REGULATORY AGENCY APPROVALS

UL Recognized File E93779

WEIGHT

(approximate)
 Transformer, Cat. No. 750X110038 47 lbs
 Transformer, Cat. No. 750X110039 – 045 34 lbs
 Transformer, Cat. No. 750X110046 – 072 28 lbs
 Optional Base Plate 1.5 lbs

REFERENCE DRAWINGS

Outline 0121C33697

INSULATION LEVEL

0.6kV; BIL 10kV full wave.

FREQUENCY

50-60 Hz

JCS-0C DATA TABLE

Current Ratio ϕ (in Amps) Pri:Sec	ANSI Accuracy Class, 60 Hz		Continuous Thermal-Current Rating Factor		Window Diam. ψ (inches)	Catalog Number	
	Meter Class, Burden	Relay Class	30° C Ambient	55° C Ambient		With Base	Without Base
Single-Ratio							
50:5	2.4 thru B-0.2	C20	2.0	2.0	2.50	750X110038	750X110001
100:5	2.4 thru B-0.2	C10	2.0	2.0	4.88	750X110039	750X110002
200:5	0.6 thru B-0.2	C20	2.0	2.0	4.88	750X110041	750X110004
300:5	0.3 thru B-0.2	C50	2.0	2.0	4.88	750X110042	750X110005
400:5	0.3 thru B-0.5	C50	2.0	2.0	4.88	750X110043	750X110006
600:5	0.3 thru B-0.5	C100	2.0	2.0	4.88	750X110045	750X110008
800:5	0.3 thru B-0.9	C100	2.0	2.0	5.25	750X110046	750X110009
1000:5	0.3 thru B-0.9	C100	2.0	2.0	5.25	750X110047	750X110010
1200:5	0.3 thru B-1.8	C200	2.0	1.5	5.25	750X110048	750X110011
1500:5	0.3 thru B-1.8	C200	1.5	1.0	5.25	750X110049	750X110012
1600:5	0.3 thru B-1.8	C200	1.33	1.0	5.25	750X110050	750X110013
2000:5	0.3 thru B-1.8	C200	1.0	0.8	5.25	750X110051	750X110014
2500:5	0.3 thru B-1.8	C200	1.0	0.8	5.25	750X110052	750X110015
3000:5	0.3 thru B-1.8	C200	1.0	0.8	5.25	750X110053	750X110016
4000:5	0.3 thru B-1.8	C100	1.0	0.8	5.25	750X110054	750X110017
Multi-Ratio							
100/200/300/400/ 500/600/800/900/ 1000/1200:5	0.3 thru B-1.8	C200	2.0	1.5	5.25	750X110069	----
300/400/500/800/ 1100/1200/1500/ 1600/2000:5	0.3 thru B-1.8	C200	1.0	0.8	5.25	750X110070	----
200/400/600/800/ 1200/1400/1600/ 1800/2000:5	0.3 thru B-1.8	C200	1.0	0.8	5.25	750X110073	----
500/1000/1500/ 2000/2500/3000:5	0.3 thru B-1.8	C200	1.0	0.8	5.25	750X110071	----
1000/1000/2000/ 2000/3000/4000:5	0.3 thru B-1.8	C100	1.0	0.8	5.25	750X110072	----

Notes: ψ Other window diameters are available for special applications, consult factory
 ϕ Other ratios are available for special applications, consult factory

Construction and Insulation

The core and coil are enclosed in a case molded with GE Noryl® thermoplastic PPO resin. This tough material has excellent electrical and mechanical properties over a wide temperature range, has low water absorption and is resistant to a variety of chemicals.

Core and Coils

The core is made from high quality grain oriented silicon steel, annealed under rigidly controlled factory conditions. The secondary winding is made of heavy enameled copper wire. Multi-ratio units have multiple taps in the secondary winding. The secondary windings including the taps are evenly distributed around the core for maximum accuracy and resistance to stray fields from adjacent conductors.

Terminals

Secondary terminals are No. 10-32 brass screws with one flat washer and one lock-washer. Because the transformer is used primarily in enclosed, switchgear compartments, which cannot be opened while the transformer is energized, a secondary shorting device and terminal cover are not provided.

Polarity

Primary and secondary polarity marks H1 and X1 are molded into the case.

Primary Conductor

A bus or insulated cable forms the primary winding.

Nameplates

The nameplate is a polyester label attached to the face of the transformer.

Baseplate and Mounting

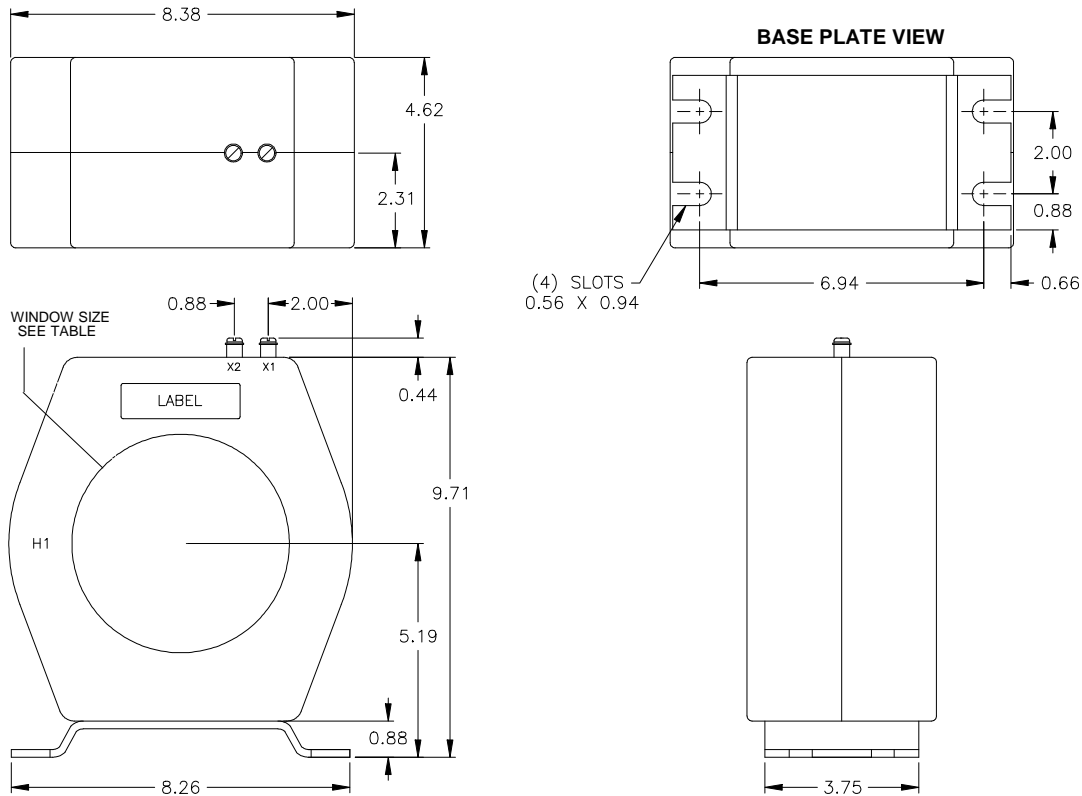
The transformer can be mounted in any position. The base plate is made of heavy steel plate. It is attached to the transformer with two bolts. If the base plate is not used, the 3/16-16 tapped holes in the bottom surface are used for mounting.

Maintenance

These transformers require no maintenance, other than occasional cleaning if installed where air contamination is severe.

Data subject to change without notice

To purchase or obtain more information about GE Instrument Transformer products, please call GE's Charlotte Service Center at 1-800-431-7867. Product information is also available on our web site at <http://www.GEIndustrial.com>. Click on the Product Index button (right column), select Transformers and follow the menus to **Product Information** or a **Solutions Advisor**.



JCS-0C Dimensions



130 Main Street
Somersworth, NH 03878

1907 Calumet Street
Clearwater, FL 33765

GE Industrial Systems