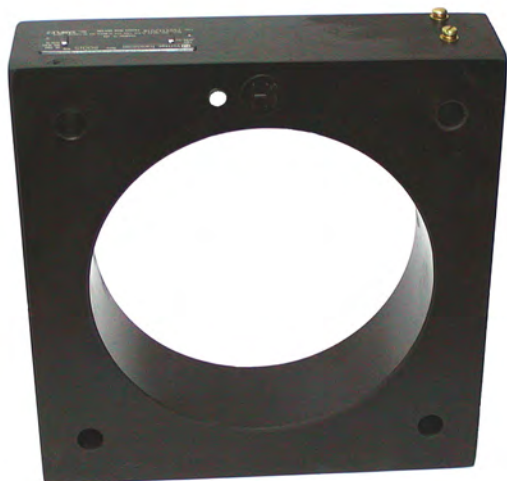




Indoor Current Transformer

Model JCB-0CC – 600V, 10kV BIL, 50 – 6000A

Window Diameter 7.25 to 8.125"



APPLICATION

Designed for indoor service. Suitable for operating meters relays and control devices, on circuits not exceeding 600V line-to-line. It may be used on higher voltage circuits with an insulated conductor; refer to the Applications Information section of catalog GEP-9186.

REGULATORY AGENCY APPROVALS

UL Recognized File E93779

WEIGHT

(approximate)
Transformer with baseplate 25 lbs

REFERENCE DRAWINGS

Outline: 0121C33807

INSULATION LEVEL

0.6kV; BIL 10kV full wave.

FREQUENCY

50-60 Hz

JCB-0CC DATA TABLE

Current Ratio (in Amps) Pri:Sec	ANSI Accuracy Class, 60 Hz		Continuous Thermal- Current Rating Factor		Catalog Number
	Meter Class Burden	Relay Class	30°C Ambient	55°C Ambient	
Single Ratio					
50:5	0.6 thru B0.1	C10	1.5	1.0	750X211001
100:5	0.6 thru B0.1	C10	1.5	1.0	750X211002
400:5	0.6 thru B0.1	C10	1.5	1.0	750X211003
500:5	0.3 thru B0.1	C20	1.5	1.0	750X211004
600:5	0.3 thru B0.2	C20	1.5	1.0	750X211005
800:5	0.3 thru B0.2	C50	1.5	1.0	750X211006
1000:5	0.3 thru B0.5	C50	1.5	1.0	750X211007
1200:5	0.3 thru B0.5	C50	1.5	1.0	750X211008
1500:5	0.3 thru B0.9	C100	1.5	1.0	750X211009
2000:5	0.3 thru B1.8	C100	1.5	1.0	750X211010
2500:5	0.3 thru B1.8	C100	1.5	1.0	750X211011
3000:5	0.3 thru B1.8	C100	1.5	1.0	750X211012
4000:5	0.3 thru B1.8	C100	1.5	1.0	750X211014
5000:5	0.3 thru B1.8	C100	1.33	1.0	750X211015
6000:5	0.3 thru B1.8	C100	1.0	0.75	750X211016
Multi-Ratio					
100/200/300/400/500/600/ 800/900/1000/1200:5	0.3 thru B0.5	C50	1.5	1.0	750X211021
300/400/500/800/1100/1100/ 1200/1500/1600/2000:5	0.3 thru B0.5	C100	1.5	1.0	750X211022
500/1000/1500/2000/ 2500/3000:5	0.3 thru B0.5	C100	1.5	1.0	750X211023
1000/1000/2000/2000/ 3000/4000:5	0.3 thru B0.5	C100	1.5	1.0	750X211024

Construction and Insulation

The core and coil are encapsulated in cast polyurethane resin. This material has excellent electrical and mechanical properties over a wide temperature range and is UV resistant.

Core and Coils

The core is made from high quality grain oriented silicon steel, annealed under rigidly controlled factory conditions. The secondary winding is made of heavy enameled copper wire. Secondary windings are evenly distributed around the core for maximum accuracy and resistance to stray fields from adjacent conductors.

Terminals

Secondary terminals are 10-32 brass inserts.

Polarity

Primary and secondary polarity marks are white dots.

Primary Conductor

A bus or insulated cable forms the primary winding.

Nameplates

The nameplate is laser engraved aluminum. It is attached to the top of the unit and has provision for attaching the user's identifying tag. The nominal current rating is marked on the side of the unit in large numerals.

Baseplate and Mounting

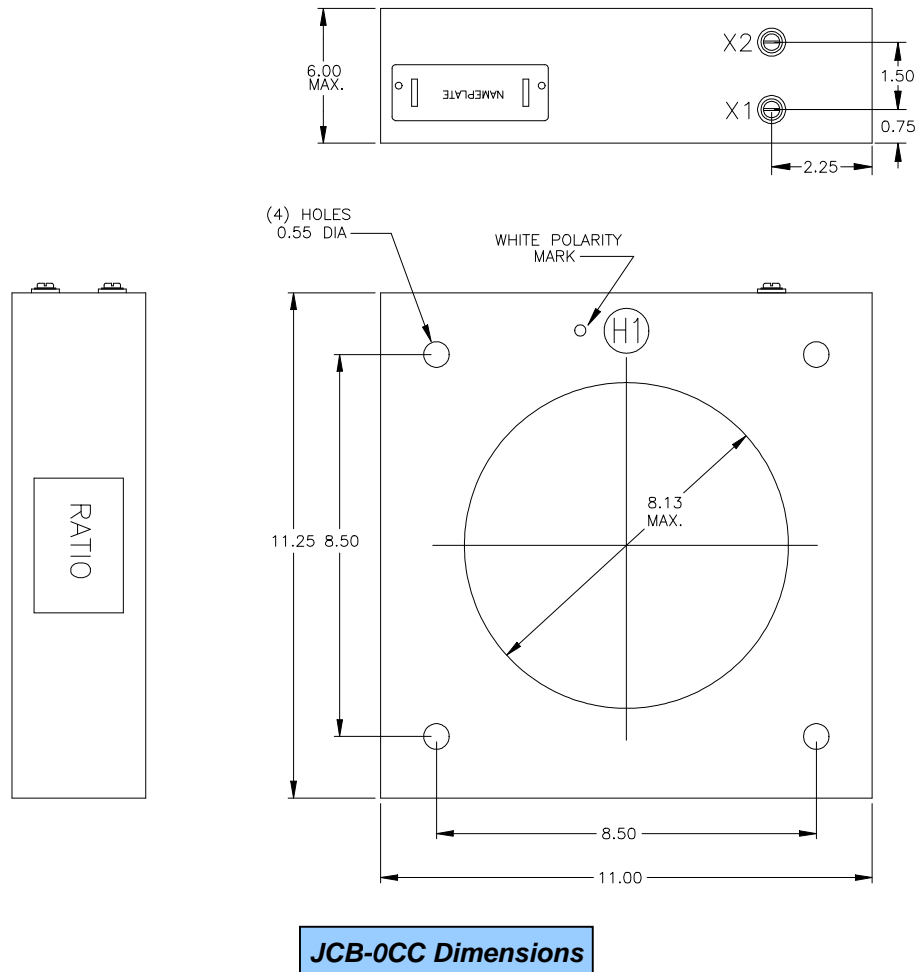
The transformer can be mounted in any position. An optional mounting base is available by ordering part number 1321B34149.

Maintenance

These transformers require no maintenance, other than occasional cleaning if installed where air contamination is severe.

Data subject to change without notice

To purchase or obtain more information about GE Instrument Transformer products, please call GE's Charlotte Service Center at 1-800-431-7867. Product information is also available on our web site at <http://www.GEIndustrial.com>. Click on the Product Index button (right column), select Transformers and follow the menus to **Product Information** or a **Solutions Advisor**.



130 Main Street
Somersworth, NH 03878

1907 Calumet Street
Clearwater, FL 33765

GE Industrial Systems