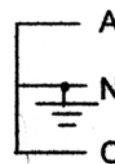
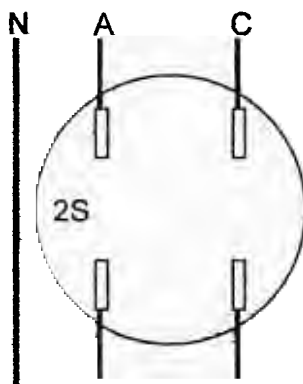


I210 Site Analysis

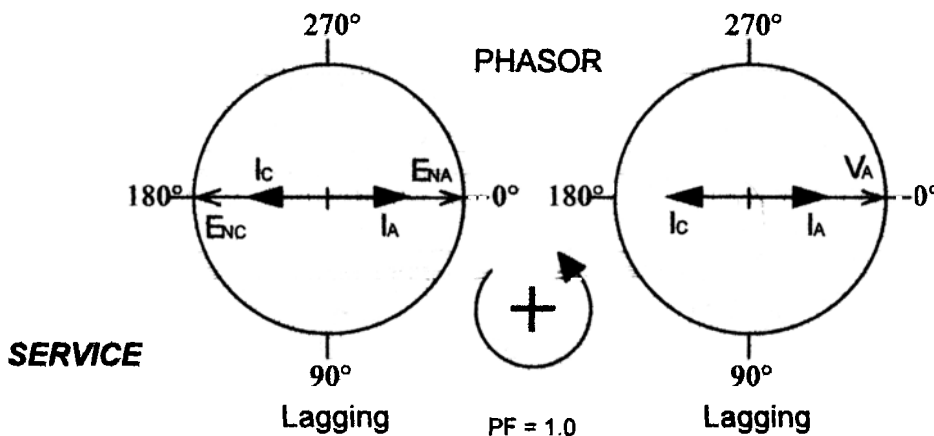
Form 2S (Self-Contained)



3-
Singlephase



Accuracy is based on assumptions which, if not fulfilled, may result in systematic errors unrelated to meter calibration.



Actual installation procedures, equipment, and connections must conform to applicable codes and standards

3-wire, 1-phase, 1-element

MO 2-